

MT6070iH

Human Machine Interface with 7" TFT LCD display



[Introduction]

MT6000 series is the new HMI generation of Weintek. With the design concept of meeting customers' satisfaction while easy-to-Use attribute as before, a MT6000 not only performs as a Human Machine Interface but also plays as a role of data exchange center. MT6000 series is the best choice for your requirement tomorrow.

The MT6070iH is equipped with a USB 1.1 host, and a USB 2.0 high speed device.

◆◆Specifications

Construction: plastic molding housing

Display: 7" 65,536 color TFT LCD

CPU and core logic: 32Bit RISC 400MHz processor

DRAM: 64 MB DDR2 on board

Storage: 128 MB flash memory on board,

I/O: 3 serial ports: Com1: RS-232/RS-485 2w/4w,

Com2: RS-232,

Com3: RS-232/RS-485 2w

1 USB 1.1 host

1 USB 2.0 high speed device

RTC: Built-in

Power input: 24±20%V_{DC}, 250mA@24VDC

Dimension (W x H x D): 200 x 146 x 42.5mm

Weight: 0.85kg

Software: EB8000 V2.0.0 or later

◆◆Features

7" 800x480 TFT LCD

Fan-less cooling system

Built-in flash memory and RTC

NEMA4/IP65 compliant front panel

LED Back Light

One USB Host and one USB client port

Power Isolator inside

Com1 RS485 supports MPI 187.5K

◆◆LCD Display

Display type	TFT LCD
Display size (diagonal)	7"
Max colors	65536
Resolution	800 x 480
Pixel pitch (HxV, mm)	0.1905 x 0.0635
Viewing angle (°)	70/50/70/70(T/B/R/L)
Luminance (cd/m ²)	500
Backlight	LED
Backlight Life time	30,000 hrs.
Contrast ratio	500:1

◆◆Touchscreen

Type: 4-wire, analog resistive

Resolution: continuous

Light transmission: above 80%

Life: 1 million activation minimum

◆◆Environmental Specifications

Operating temperature: 0° ~ 50°C (32° ~ 122°F)

Storage temperature: -20° ~ 60°C (-4° ~ 140°F)

Relative humidity: 10% ~ 90% @ 40°C, non-condensing

Shock (operation): 10 to 25Hz(X,Y,Z direction 2G 30minutes)

CE/FCC: Complies with EN 55022:2006, Class A

EN 61000-3-2:2006

EN 61000-3-3:1995+A1:2001+A2:2005

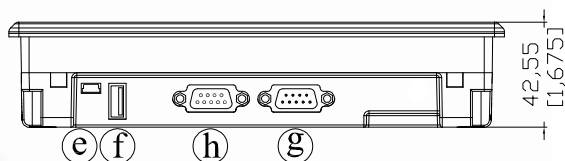
EN 55024:1998+A1:2001+A2:2003

Front panel meets NEMA4 / IP65

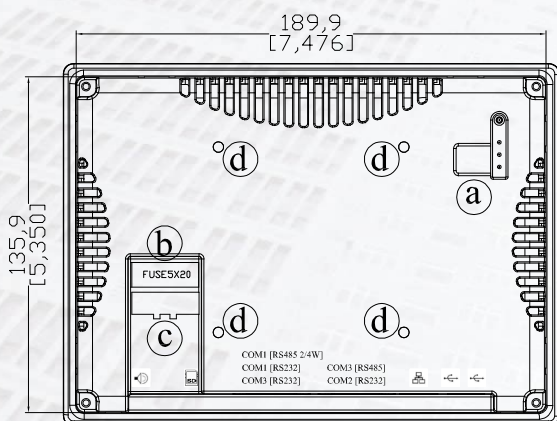
Dimensions Drawing



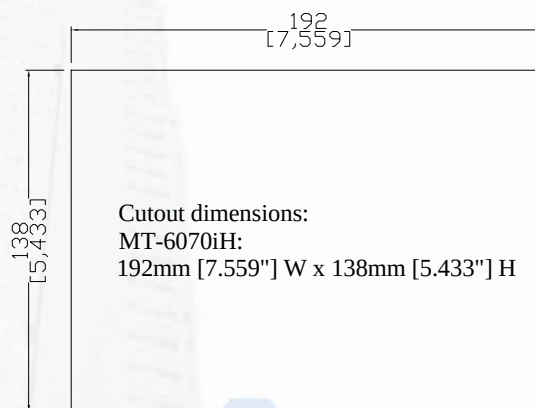
Front View



Bottom View



Rear View



Cutout dimensions:
 MT-6070iH:
 192mm [7.559"] W x 138mm [5.433"] H

a	DIP SW & Reset button	e	USB Client port
b	Fuse	f	USB Host port
c	Power connector	h	Com1 RS232, Com2 RS232
d	VESA 75mm screw holes	g	Com1 RS485, Com3 RS485, Com3 RS232

Ordering Information

MT6070iH:
 7" 800x480 TFT LCD HMI, 128MB flash memory/64MB DDR2 RAM on board.
RZCMT6100:
 MT6000/8000 i series download cable / Mini USB to USB 2.0 100 cm